

# EyeMag Loupes

Seeing is believing



# EyeMag® Loupes

## Precision at first sight

EyeMag medical loupes from Carl Zeiss combine high-quality optics with a sophisticated design. Precision optics ensure clear visualization of anatomical micro-structures, thus enhancing treatment outcomes.

The result: increased efficiency and elevated levels of care.

The large selection of working distances and magnification levels enable you to select the right loupes for your specific application needs. This product offering flexibility allows you to always work in an ergonomic and comfortable position, resulting in reduced fatigue and eyestrain. In addition to their elegant and functional design, EyeMag loupes are intuitive and easy-to-use.

The EyeMag product line was developed in close cooperation with surgeons, ensuring a solution that is efficient, reliable, and comfortable for every day use.





***Progress is a tradition***

*Carl Zeiss – the world's leader in optics – has been setting the pace in professional optical systems for more than 160 years. When it comes to precise visualization, Carl Zeiss is at the forefront of optical technology and is the first choice for medical professionals.*

**EyeMag Loupes**  
**Focus on excellence**



## EyeMag Smart - more than meets the eye



With a 2.5x magnification, EyeMag Smart loupes are ideal for applications where a large field of view is a requirement. See the whole picture with stunning detail. Its intuitive operation makes EyeMag Smart particularly attractive for first-time users and where fast and easy operation counts.

## EyeMag Pro F and EyeMag Pro S - professional optics for higher visualization standards



EyeMag Pro is the loupe of choice for those medical professionals with high magnification requirements. The magnification levels of the optical systems range from 3.2x to 5x. Two carrier system options are available: titanium eyeglass frame (F) or comfortable headband (S).

## EyeMag Light and Schott fiber optic cold light source - visualize the details in the right light

Carl Zeiss light sources are optimally designed for EyeMag loupes. They illuminate the surgical field with exceptional quality and ensure maximum detail recognition and high contrast. The mobile and lightweight design of the EyeMag Light LED light source ensures maximum wearing comfort and freedom of mobility. The Schott fiber optic cold-light illumination system for EyeMag Pro S is an alternative for more demanding illumination needs.



# EyeMag Smart

## See the whole picture with stunning detail

With 2.5x magnification, EyeMag Smart loupes provide large fields of view, enabling you to always see the whole picture. Choose from five configurations ranging from 300 to 550 mm depending on your individual working distance. The loupe system, delivered on a lightweight titanium eyeglass frame, is easy and intuitive to operate making it particularly attractive to first time users.

### Outstanding optics with an elegant design

The outstanding optical quality of EyeMag Smart loupes delivers precise images with excellent image quality and color fidelity reaching extending to the peripheral zones. Excellent depth of field ensures clear visualization of anatomical structures in deep-lying channels. The large fields of view provide an optimized view of the working area. In addition to outstanding optical quality, the compact loupes feature an attractive, modern design.

**High-quality surface**  
Resistant to standard disinfectants

**Telescopic rail 1**  
Position the eyepieces in seconds with a single adjustment

**Full anti-reflective lens protection**

**Optical systems**

**Flip-up function 3**  
Unobstructed vision and eye contact with your patients with a single adjustment

**Optics mount**  
Easy attachment and removal of the optical system

**Soft nose bridge**  
Comfortable fit and maximum wearing comfort

**Adjustment of eyepiece tilt 2**  
Fast adjustment to any desired viewing angle – even in extreme treatment positions

**Lens protection device**  
Shields the objective lens against tissue debris for increased protection. Features high-quality, scratchproof ZEISS AR coating

EyeMag Smart					
Working distance (mm)	300	350	400	450	550
Working distance (inch)	12	14	16	18	22
Magnification	2.5x	2.5x	2.5x	2.5x	2.5x
Field of view (mm)	67	77	86	96	115

### Ready for patients in seconds

The range of tilt and angle of declination settings make EyeMag Smart loupes particularly quick and intuitive to operate. The loupes can be adjusted to meet your treatment needs in a matter of seconds. You can position the distance of the eyepieces and change the tilt angle quickly and easily with a single adjustment. The flip-up function facilitates unobstructed vision and eye contact with the patient, enabling you to concentrate on what is most important: the treatment of the patient.

### Perfectly matched – work in comfort

EyeMag Smart loupes can be quickly adjusted to the requirements of the treatment position. This flexibility permits you to always achieve a comfortable, ergonomically correct seated position allowing you to work ergonomically, preventing back and neck pain. The choice of five working distances facilitates the ideal loupes configuration for your individual requirements. The comfortable titanium eyeglass frame, with soft nose bridge and elastic headband, ensures a proper fit with maximum wearing comfort.



#### Titanium eyeglass frame

Neutral lenses that protect against splashes and particles. Prescription lenses can be integrated at any time. Side shields can also be attached.

#### Elastic headband

Optimal weight distribution ensures a perfect fit

#### Setting the interpupillary distance (PD)

Fast binocular setting of your personal PD



# EyeMag Pro

## An advanced visualization system

EyeMag Pro is the right loupe system for users with higher magnification demands. It is available in a wide range of magnification levels and working distances, enabling you to select loupes tailored to your individual needs. Choose a magnification level from 3.2x to 5x and working distances from 300 to 500 mm. For the carrier system, you can select a titanium eyeglass frame (EyeMag Pro F) or a headband system (EyeMag Pro S).

### Capture all the details

The brilliant ZEISS optics integrated into EyeMag Pro F and EyeMag Pro S loupe systems establish new standards in precise vision. EyeMag Pro loupes feature outstanding image quality that generates a high-contrast stereoscopic image, thus enabling you to recognize and differentiate between even the most minute structures. The excellent depth of field permits outstanding depth orientation.

### Tailored to your individual needs

You can select the carrier system that fulfills your individual preferences. With the titanium frame, EyeMag Pro loupes offer a carrier system into which prescription lenses can be easily integrated. The soft nose bridge and adjustable headband enable a perfect, comfortable fit. Over longer wearing periods, the headband on the EyeMag Pro S loupes ensures outstanding weight distribution. The personal setting options on the EyeMag Pro F and EyeMag Pro S systems facilitate an ergonomically correct treatment position with every tilt angle.

### EyeMag Pro F Loupes

**Folding bridge**  
Fast and intuitive adjustment of the PD

**Lens protection device**  
Shields the objective lens against tissue debris. Features high-quality ZEISS AR coating

**Clamping mechanism**  
Optimally set the height and tilt of the optical system

**Flip-up function**  
Unobstructed vision facilitates eye contact with the patient in seconds

**Soft nose bridge**  
A comfortable fit and maximum wearing comfort

**High-quality surface**  
Resistant to standard disinfectants

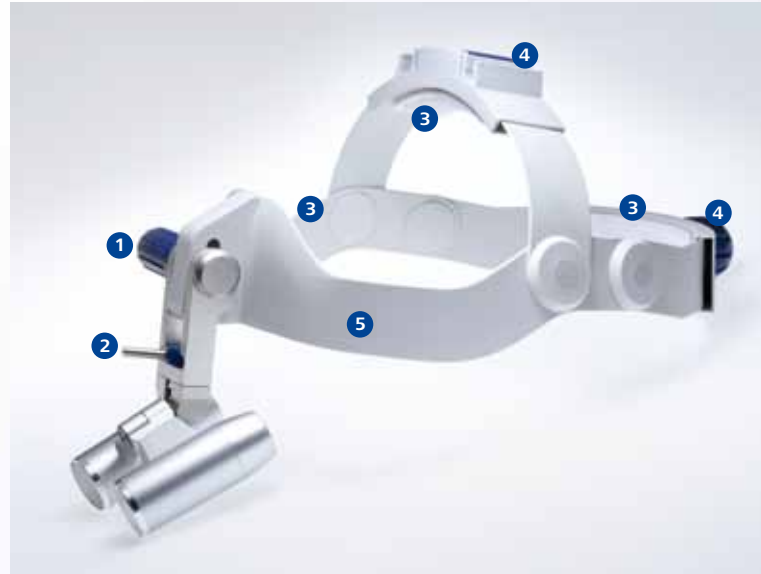


A wide range of working distances ensures application flexibility for most medical disciplines and accommodates many individual requirements. This comprehensive offering allows you to always work in comfort.

### Focus on the patient

The numerous adjustment possibilities on EyeMag Pro loupes let you focus on the patient treatment. The tilt angle can be easily adjusted to the necessary treatment position.

The unique optical system on the EyeMag Pro loupes features a folding bridge that allows you to intuitively set your personal interpupillary distance.



### EyeMag Pro S Loupes

- 1 Vertical adjustment**  
Fast and easy positioning of the optical system
- 2 Locking lever**  
Optimally set the eyepiece tilt to any desired viewing angle – even in extreme treatment positions
- 3 Washable textile pads**  
Maximum wearing comfort. Easy removal and cleaning
- 4 Adjusts to the shape of your head**  
Quick and easy adjustment for individual needs
- 5 Headband system**  
Provides even weight distribution and comfort

**Elastic headband**  
Optimal weight distribution ensures a perfect fit

### Titanium eyeglass frame

Neutral lenses protect against splashes and tissue particles. Prescription lenses and protective side shields can be integrated at any time.



### Optical systems

#### EyeMag Pro F and EyeMag Pro S:

Working distance (mm)	300		350		400		450		500	
Working distance (inches)	12		14		16		18		20	
Magnification	4x	5x	3.6x	4.5x	3.5x	4.3x	3.3x	4x	3.2x	4x
Field of view (mm)	56	44	71	56	86	68	100	81	115	93

# EyeMag Light

## Visualize the details in the right light

**The extremely compact and mobile LED light source illuminates the surgical field with exceptional quality by ensuring optimal light distribution. The light is easy-to-use and lightweight for maximum wearing comfort – even during longer procedures.**

### **Excellent illumination for outstanding image quality**

Ample light in the surgical field plays a key role in precise visualization. Even light distribution, without color gradients, ensures maximum detail recognition and high contrast that results in high quality images with virtually no fluctuations in brightness. The size of the illuminated field is optimally matched to EyeMag loupes.

### **Simple operation for relaxed work**

EyeMag Light is very easy to operate. The light source can be easily affixed to all EyeMag loupe systems. The power supply unit is equipped with a practical belt clip which provides freedom and mobility.

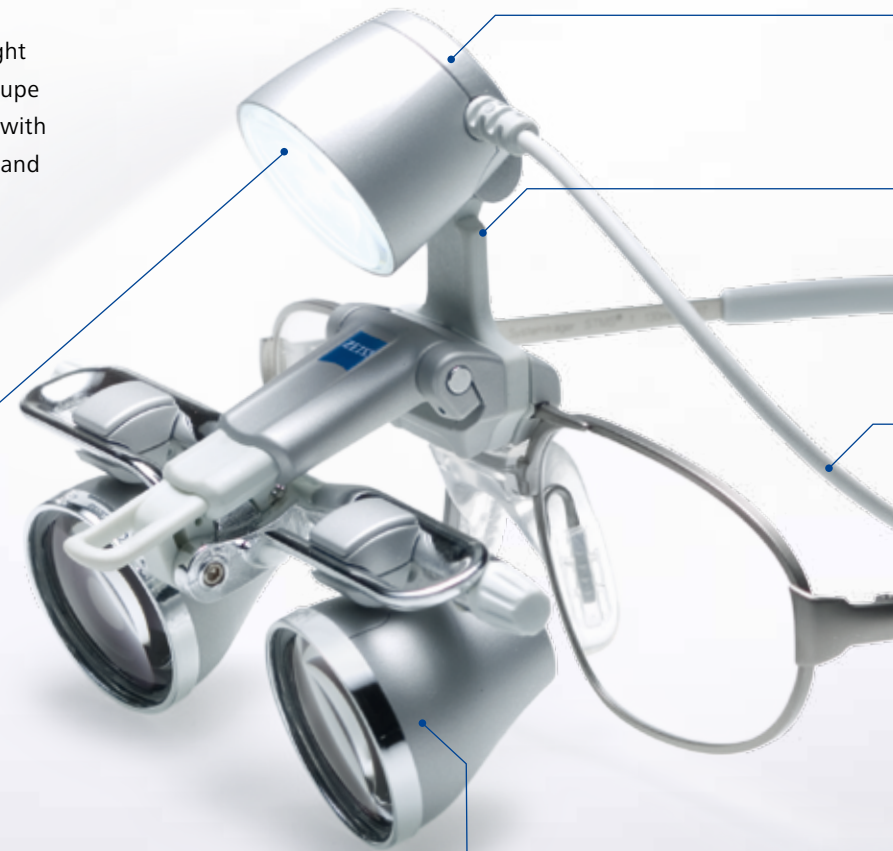
### **Added safety and comfort for everyday treatment routines**

EyeMag Light was specifically developed to simplify everyday medical treatment routines. The active, integrated temperature control ensures ease-of-use and wearing comfort – even during long operating periods. An LED control display provides constant information on the status of the power supply unit. A special coating protects the surface of the light source against damage from disinfectants. The swing-in orange filter prevents premature curing of composite material. It can be attached as an option to EyeMag Light. These intelligent design details for added comfort and safety combine to make EyeMag Light an obvious choice for illumination.

**Powerful LED light source**  
Excellent illumination of the field of view

**Mobile power supply unit**  
Standard rechargeable batteries and practical belt clip for full freedom of mobility

**High-quality surface**  
Resistant to standard disinfectants



# Fiber optic cold-light illumination

## The alternative light source for EyeMag Pro S

### Illuminate from every angle

The Schott fiber optic cold light source, a powerful halogen illumination system, is available for EyeMag Pro S loupes. The halogen light system is a key resource especially when the demands for illumination intensity increase. Combined with the coaxial illumination system and the flexible liquid light guide, this system provides a very bright, shadow-free, and evenly illuminated field of view. The result: optimal visualization of the surgical field.



- 1 Liquid light guide**  
Extremely flexible with outstanding light transmission
- 2 Illumination system**  
High-quality ZEISS optics for an evenly illuminated field of view
- 3 Schott KL 1500 fiber optic cold light source**  
Receptacle for a yellow filter to prevent premature curing of composite materials (optional)
- 4 Coaxial illumination**  
Perfect alignment of the illuminated field of view – in any treatment position

### Active temperature control

Intelligent protection against overheating of the bulb housing – for more comfort and safe use during everyday

### Adapter

Easy attachment of all EyeMag loupe systems

### Power cable

Flexible for maximum mobility



### Illumination as required – flexible and mobile



*EyeMag Light with EyeMag Pro F Loupes*



*EyeMag Light with EyeMag Pro S Loupes*



*EyeMag Light with system carrier, without loupe attachment*



*Swing-in orange filter attached to EyeMag Light (option)*



*The fiber optic cold light source mounted to the headband system of EyeMag Pro S loupes*

# Quickly and easily select the correct loupe design and configuration

## Selection of the loupe model

### EyeMag Smart

- Flip-up loupe system featuring a Galileian design
- 2.5x magnification is suitable for beginners and applications with minor requirements on the magnification
- Large fields of view for optimum visualization of the surgical field
- Easy, intuitive operation – ready for patients in seconds
- Attractive, compact design

EyeMag Smart



EyeMag Pro F



EyeMag Pro S



### EyeMag Pro F and EyeMag Pro S

- Flip-up loupe system featuring a Kepler design
- For users with high magnification demands
- Large selection of different models available in different combinations of magnification levels and working distances
- Available with two different carrier systems: EyeMag Pro F with titanium eyeglass frame and EyeMag Pro S with headband system

## Measure your working distance

Measure the typical distance from your eyes to the object of interest to determine the preferred working distance.



## Select the right combination

Determine the combination of magnification and field of view that is preferred for the selected working distance – the higher the magnification,

the smaller the field of view. An overview of all fields of views and magnification levels is available on page 13.

2,5x



3,2x



4x



4,5x



5x



Photo: Klaus Ernst, Stuttgart, Germany

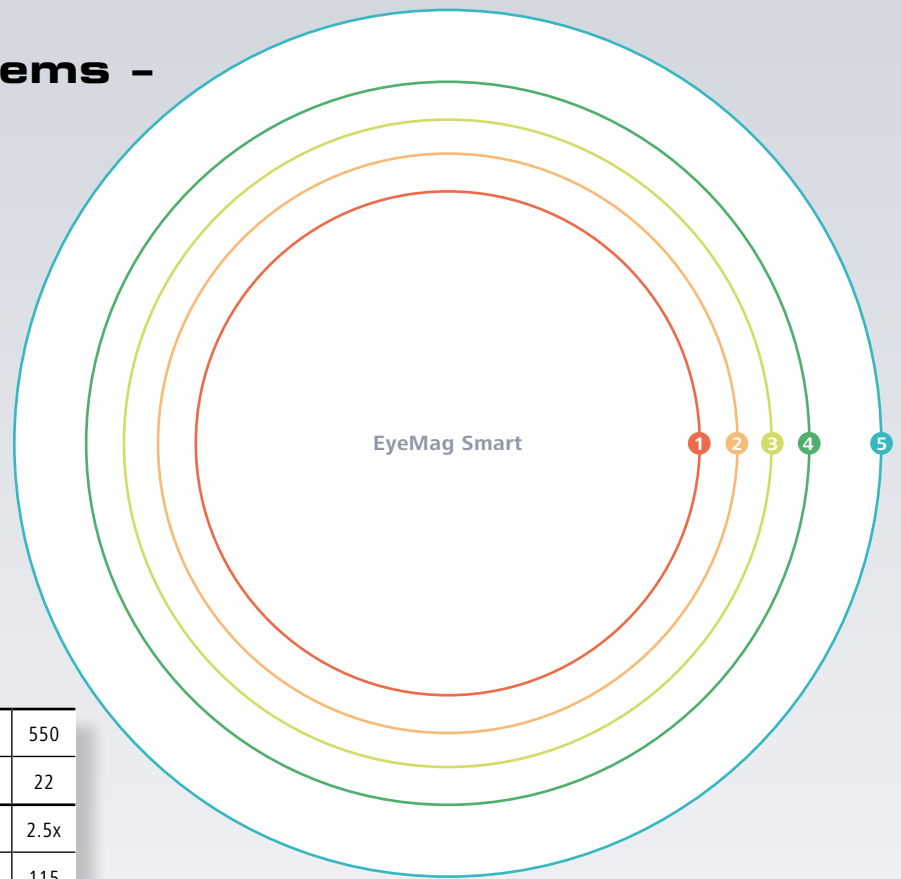
# The optical systems - fields of view (actual size)

The following fields of view are possible depending on working distance and the desired magnification. These determine the selection of your individual loupes.



**EyeMag Smart – optical systems**

Working distance (mm)	300	350	400	450	550
Working distance (inches)	12	14	16	18	22
Magnification	2.5x	2.5x	2.5x	2.5x	2.5x
Field of view (mm)	67 <b>1</b>	77 <b>2</b>	86 <b>3</b>	96 <b>4</b>	115 <b>5</b>



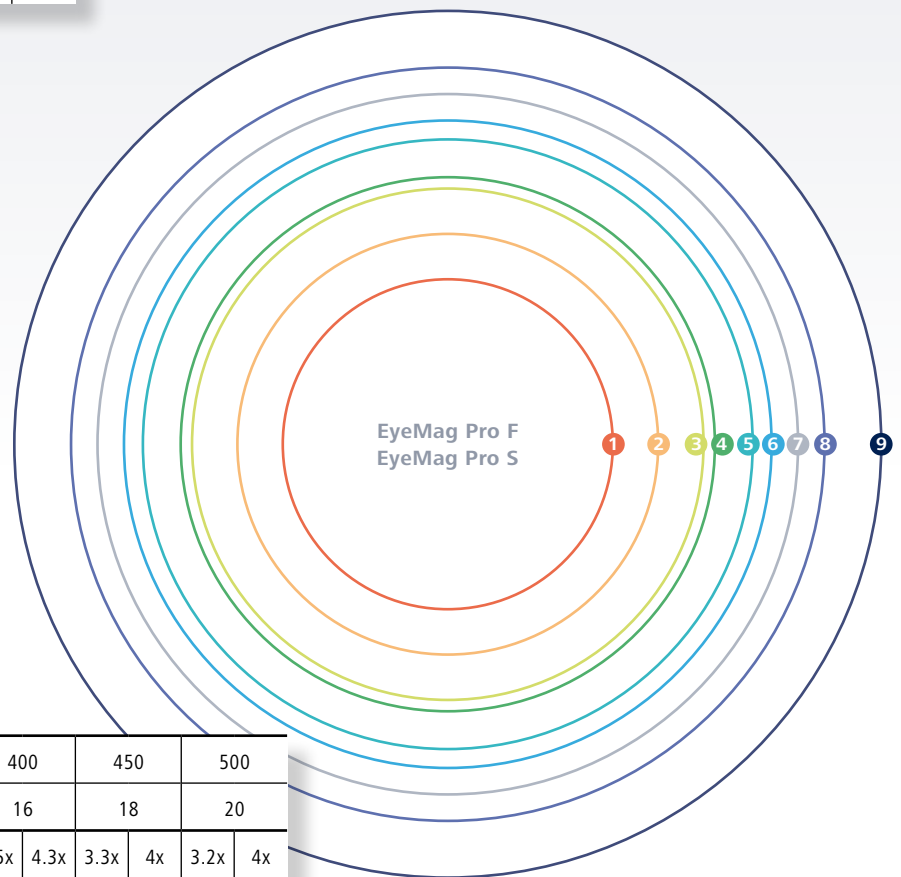
*EyeMag Pro F*



*EyeMag Pro S*

**EyeMag Pro – optical systems**

Working distance (mm)	300		350		400		450		500	
Working distance (inches)	12		14		16		18		20	
Magnification	4x	5x	3.6x	4.5x	3.5x	4.3x	3.3x	4x	3.2x	4x
Field of view (mm)	56 <b>2</b>	44 <b>1</b>	71 <b>4</b>	56 <b>2</b>	86 <b>6</b>	68 <b>3</b>	100 <b>8</b>	81 <b>5</b>	115 <b>9</b>	93 <b>7</b>



# EyeMag loupes

## It's time for a new perspective

### EyeMag Smart



Flip-up medical loupes with 2.5x magnification on a titanium eyeglass frame

#### Standard delivery package

##### Optical system

Optical system featuring a Galilean design

##### System carrier

Titanium eyeglass frame

Sizes: S, M, L with elastic headband and soft nose bridge

##### Lens protection device

Shields the objective lens against tissue debris  
Features high-quality, scratchproof ZEISS AR coating

##### Contact guard

Sterilizable to safely and reliably swing loupes up and down

##### Side shields for EyeMag Smart

Side protection against splashes and particles

##### Soft case

High-quality, shock-proof protection for your loupes and accessories

#### Compliance



### EyeMag Pro F EyeMag Pro S



Flip-up medical loupes with 3.2x to 5x magnification and titanium eyeglass frame (EyeMag Pro F) or headband system (EyeMag Pro S)

#### Standard delivery package

##### Optical system

Optical system featuring a Kepler design

##### System carrier

Titanium eyeglass frame (EyeMag Pro F)

Sizes: S, M, L with elastic headband and soft nose bridge

or

Headband system (EyeMag Pro S)

Size of the headband can be personally adjusted

##### Lens protection device

Protects against tissue debris  
with ZEISS AR coating

##### Contact guard

Sterilizable to safely and reliably swing loupes up and down

##### Side shields for EyeMag Pro F

Side protection against splashes and particles

##### Soft case

High-quality, shock-proof protection for your loupes and accessories

#### Compliance



*A high-quality, shock-proof soft case comes standard with EyeMag loupes and EyeMag Light*

## EyeMag Light



**Mobile LED light source with power supply unit.**

### Standard delivery package

#### Bulb housing

Powerful and mobile LED light source with integrated temperature control

#### Power supply unit

With standard NiMH batteries and practical belt clip

#### EyeMag Smart adapter

To attach the EyeMag Light illumination source to the EyeMag Smart system carrier. Can also be used as a head lamp without an optical system.

#### EyeMag Pro F/S adapter

To attach the EyeMag Light illumination source to the optical system of EyeMag Pro F and EyeMag Pro S

#### Battery charger

Processor controlled with country-specific power cable

#### Cable clips

To connect the lamp cable to the system carrier

#### Soft case

High-quality, shock-proof protection for your light source and accessories

### Optional accessories

#### Additional power supply unit

Including 4 standard, AA NiMH batteries

#### Orange filter

Swing-in orange filter prevents premature curing of dental composite materials

### Technical Data

#### Bulb type

LED

#### Operating time

Up to 8 hours

#### Power supply

4 standard, AA NiMH batteries

### Compliance



## Fiber optic cold-light illumination



**Schott KL 1500 LCD fiber optic cold light source with illumination system and liquid light guide for EyeMag Pro S**

### Standard delivery package

#### Schott KL 1500 fiber optic cold light source

Receptacle for a yellow filter to prevent premature curing of composite materials (optional)

#### Illumination system

Illumination optics for even illumination of the field of view; with adapter set to attach to the EyeMag Pro S optical system

#### Liquid light guide

Flexible, robust liquid light guide with maximum light transmission

#### Light guide mounts

Mounts the light guide to the OR clothing of the user

### Optional accessories

#### Adapter for stand-alone solution

For use as a head lamp on the headband system without an optical system

#### Yellow filter

To avoid premature curing of composite materials

### Technical Data

#### Bulb type

150 W halogen

#### Operating time

Unlimited

#### Power supply

230 V/120 V

### Compliance



**Carl Zeiss Surgical GmbH**

A Carl Zeiss Meditec Company

Carl-Zeiss-Straße 22

73447 Oberkochen

Germany

Fax: +49 (0) 7364/20-4823

[surgical@meditec.zeiss.com](mailto:surgical@meditec.zeiss.com)

[www.meditec.zeiss.com/loupes](http://www.meditec.zeiss.com/loupes)

[www.meditec.zeiss.com/contacts](http://www.meditec.zeiss.com/contacts)

**EN\_30\_010\_1891** Printed in Germany AW-CZ-IV/2010 U00

**Dentistry**

The current status of approval of the products listed in this brochure may vary from country to country. Please contact your regional representative for more information.

Products are subject to change in design and scope of delivery and as a result of ongoing technical development. Printed on chlorine-free bleached paper.

EyeMag is a registered trademark of Carl Zeiss. ©2008 by Carl Zeiss Meditec AG. All copyrights reserved.